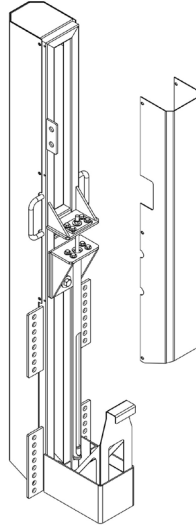




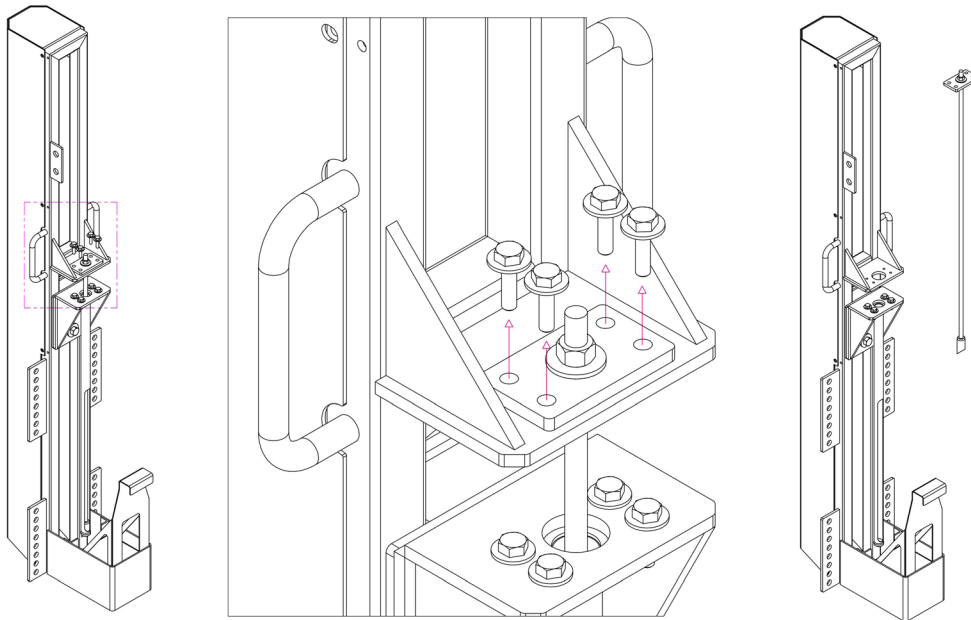
Auto-Field Sampler (AFS) Soil Probe Replacement Instructions

Warning: The soil probe must be in the retracted position and the power unit must be off. Failure to do so may cause severe injury or death to the operator.

- Remove soil probe side cowl on the AFS.



- Remove the four bolts securing the plunger rod to the mast frame. The plunger rod can be removed by lifting vertically until the plunger rod tip is clear of the plunger mounting plate.



Agricultural
Geotechnical
Environmental
Groundwater

105 Harrison St.
American Falls, ID 83211

Toll Free: 800-635-7330
Office: 208-226-2017

ams@ams-samplers.com

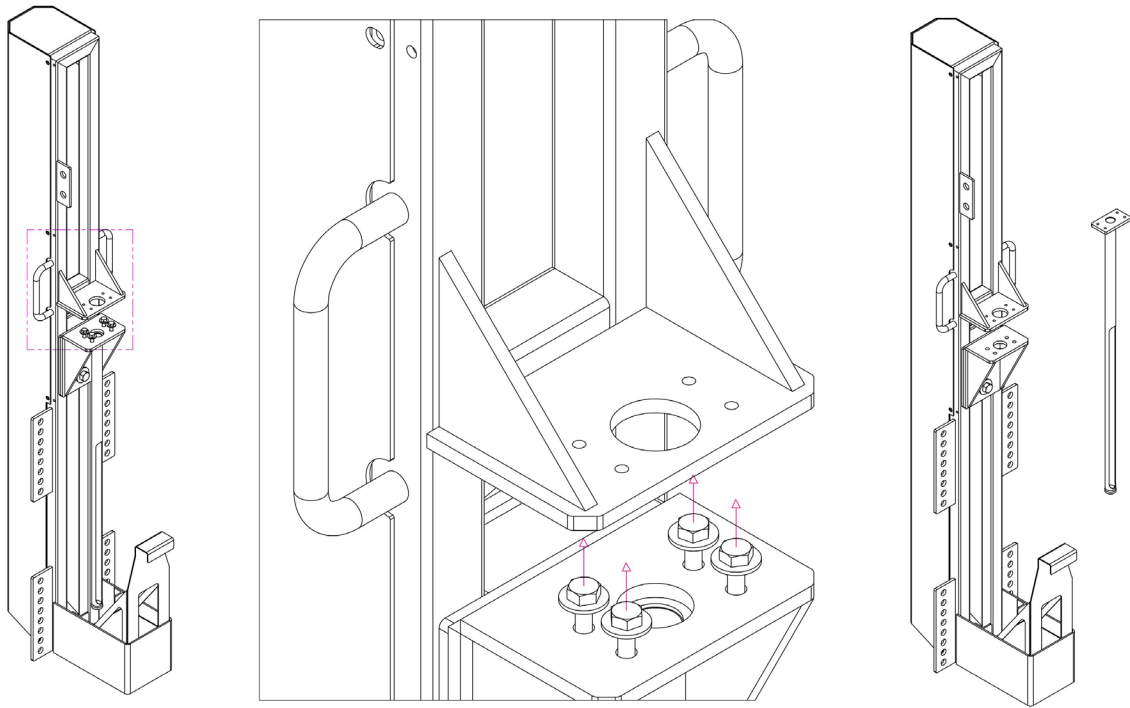
www.facebook.com/amssampling

www.instagram.com/amsinc/

www.linkedin.com/company/ams-inc/

www.ams-samplers.com

- Remove the four bolts securing the soil probe to the slide head. The soil probe can now be removed.



- Securely fasten the replacement soil probe to the slide head.
- Securely fasten the plunger rod to the mast frame. When positioning the plunger rod, rotate until the angled side of the plunger rod tip is pointed towards the collection container. If not properly aligned, the sample may eject incorrectly.
- Reinstall the mast cowling.
- The soil probe replacement is now complete.